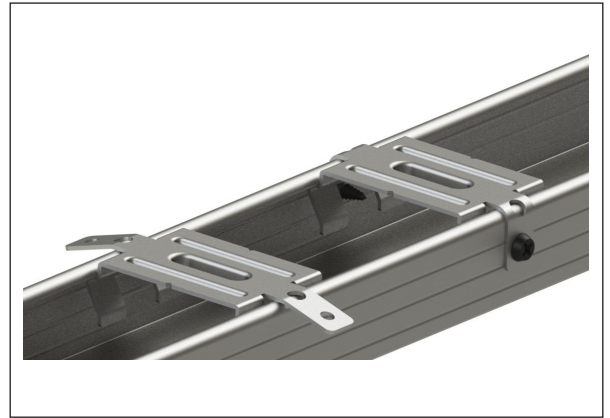


## Direct mounting clip, CD 60/27

Item number 101621



### Application

Mounting of CD 60/27 profiles directly to the structural subbase

### Characteristics

- Easy installation: Clips are positioned on the chalkline using a notch and screwed down. The profile is then clipped-on and the two straps are bent up. They are then screwed down, if necessary.
- When fastened on both sides using LN self-tapping screws, the load-bearing capacity (standard load) can be increased to 400 N.

### Technical data

<b>Material</b>	Zinc-plated sheet steel	<b>Packing unit</b>	100 pcs. / PU
<b>Material thickness</b>	1.2 mm	<b>Fire behaviour</b>	Class A1
<b>Shelf life</b>	Unlimited	<b>Load-bearing capacity</b>	250 N (unscrewed) 400 N (screwed LN9.5)
<b>Storage conditions</b>	Store in a dry place protected against moisture and wetness	<b>Corrosion protection</b>	Class B

### Notes

- Suitable for use in damp rooms only if provided with special anti-corrosive coating (on request)
- Not suitable for outdoor installation